

SIGARMS®

AIRSOFT PISTOL Handling & Safety Instructions



AirSOFT
FROM **SIGARMS**

WARNING

Please read and understand this owner's manual before taking your new SIGARMS AirSoft pistol out of the box. It is vital to your safety and to the safety of others that you accurately follow the information contained in this manual.

If you have any questions, please call or write:

SIGARMS Inc.
18 Industrial Drive, Exeter, NH 03833
(603) 772-2302

Contents

Page

Introduction	2
Safety Information	3-4
Operation	5-10
Disassembly	11
Assembly	11
Maintenance	12
Trajectory Adjustment	13
Parts Diagram	14
Parts List	15

Congratulations

The SIG SAUER® AirSoft pistol has been designed and crafted to meet the highest standards in airsoft products. It is a precision airgun that serves equally well as a tactical training device, a tool for shooting skills development, and a vehicle for teaching safe firearms handling. Used with the proper ammunition and propellant, it will serve you dependably for many years.

To make sure you get the best performance and reliability from your AirSoft pistol, **please read and follow the procedures outlined in this manual.** You'll notice that we place a heavy emphasis on safe firearms handling. Like any other mechanical device, such as automobiles or power tools, Air Soft products are inherently safe unless they are handled in a careless or irresponsible manner.

You should become familiar with your AirSoft pistol and its operation before use or actual shooting. Study the instructions carefully and make sure you understand the AirSoft pistol's operating guidelines.

This manual includes information you need to know in order to use your AirSoft pistol safely and effectively. If you have any questions or comments about this AirSoft pistol and its use, or need more information about other SIGARMS products and accessories, please write or call:

SIGARMS Inc.
Customer Service Department
18 Industrial Drive
Exeter, NH 03833
Phone: 603-772-2302 Fax: 603-772-9082

Safety Information

1. **This AirSoft pistol is not a toy.**
2. **This AirSoft pistol is intended for use by those above 18 years of age or under adult supervision.**
3. **This AirSoft pistol is so realistic that it can be mistaken for a real firearm, even with the blaze orange muzzle. Do not carry this Airsoft pistol in areas where someone could mistake it for a real firearm.**
4. **DO NOT remove or otherwise alter the blaze orange muzzle. It is the only visual cue that this AirSoft pistol is not a real firearm.**
5. **Never use this AirSoft pistol when under the influence of Alcohol, Drugs, or under circumstances where your judgement is impaired.**
6. **This AirSoft pistol shoots projectiles under gas pressure and may be dangerous at distances up to 300 yards.**
7. **This AirSoft pistol can cause injury or blindness. ALWAYS use shooting glasses when shooting your AirSoft pistol.**
8. **At close range, plastic BBs rebound strongly on flat surfaces.**
9. **Only use 6mm plastic BBs designed for AirSoft guns in your AirSoft pistol. NEVER try to shoot metal BBs, pellets, or any other object out of your AirSoft pistol.**
10. **Only use Green Gas, a propellant designed specifically for this AirSoft pistol. NEVER use propane, butane, CO₂, Freon or any other gas as a propellant in your Airsoft pistol.**
11. **Do not use Green Gas which has a pressure over 170 PSI (12 Kgs/cm²)**
12. **Do not store your AirSoft pistol or Green Gas in areas where the temperature can exceed 100 °F (40 °C).**
13. **Some gasses are extremely flammable - always keep your Airsoft pistol and Green Gas away from flames, sparks and heat sources.**
14. **Your AirSoft pistol is a precision instrument designed to function within certain parameters. Never attempt to modify your Airsoft pistol to give it more power, velocity, or range.**

Airgun safety is your responsibility

AIRSOFT PISTOLS are classified as AIRGUNS and are sold by us with the specific understanding that we are not responsible in any manner whatsoever for their safe handling or resale under local laws and regulations. SIGARMS Inc. shall not be responsible in any manner

whatsoever for malfunctioning of the airgun, for physical injury or for property damage resulting in whole or in part from (1) criminal or negligent discharge, (2) improper or careless handling, (3) unauthorized modifications, (4) defective or improper ammunition or propellant, (5) corrosion, (6) neglect, or (7) other influences beyond our direct and immediate control. This limitation applies regardless of whether liability is asserted on the basis of contract, negligence or strict liability (including any failure to warn). Under no circumstances shall SIGARMS Inc. be liable for incidental or consequential damages, such as loss of use of property, commercial loss and loss of earnings or profits.



WARNING

- **This AirSoft pistol is not a toy.**
- **This Airsoft pistol is intended for use by those above 18 years of age or under adult supervision.**
- **This AirSoft pistol is so realistic it can be mistaken for a real firearm, even with the blaze orange muzzle. Do not carry this AirSoft pistol in areas where someone could mistake it for a real firearm.**
- **DO NOT remove or otherwise alter the blaze orange muzzle. It is the only visual cue that the AirSoft pistol is not a real firearm.**
- **Never use this AirSoft pistol when under the influence of Alcohol, Drugs, or under circumstances where your judgment is impaired.**

OPERATION



AirSoft pistol features and controls

Magazine Removal

1. Depress Magazine Catch
2. Remove Magazine





WARNING - FILLING GAS

- **Death, serious injury, and damage can result from using the wrong gas.**
- **Only use Green Gas, a propellant designed specifically for this Airsoft pistol. NEVER use propane, butane, CO₂, Freon or any other gas as a propellant in your Airsoft pistol.**
- **Do not use Green Gas which has a pressure over 170 PSI (12 Kgs/cm²).**
- **Do not store your AirSoft pistol or Green Gas in areas where the temperature can exceed 100 °F (40 °C).**
- **Some gasses are extremely flammable - always keep your Airsoft pistol and Green Gas away from flames, sparks and heat sources.**

Filling Gas

1. Invert Magazine
2. Insert Green Gas nozzle into Magazine Filler Valve
3. Fill for 2 seconds
4. Repeat as necessary





WARNING - AMMUNITION

Death, serious injury, and damage can result from the use of wrong ammunition. Only use 6mm plastic BBs designed for AirSoft guns in your AirSoft pistol. NEVER try to shoot metal BBs, pellets, or any other object out of your AirSoft pistol. Always wear shooting glasses.

Load Magazine

1. Depress Magazine Follower and Follower Spring
2. Fill Magazine with 6mm plastic BBs
3. Release Magazine Follower





WARNING - HANDLING

Never carry the Airsoft pistol with the safety in the off (Fire) position. If dropped or struck with the safety off, the Airsoft pistol may fire. Such a discharge can occur with or without the trigger being directly struck or touched. Never rest a loaded Airsoft pistol against any object (wall, tree, fence, vehicle, etc.) because there is always the possibility that the Airsoft pistol will be jarred or slide from its position and fall with sufficient force to discharge. Keep the safety in the on position (SAFE) unless actually firing.

Insert Magazine

1. Insert Magazine into Magazine Well
2. Press upward until seated



Load

1. Pull Slide fully to the rear
2. Release Slide





WARNING - FIRING

- **This AirSoft pistol shoots projectiles under gas pressure and may be dangerous at distances up to 300 yards.**
- **This AirSoft pistol can cause injury or blindness. ALWAYS use shooting glasses when shooting your AirSoft pistol.**
- **At close range, plastic BBs rebound strongly on flat surfaces.**

Fire

1. Pull Trigger to rear
2. Shot discharges
3. Continue until complete



Decocking Hammer

1. Depress Decocking Lever
2. Hammer moves to uncocked position (double action mode)





WARNING - SAFETY

Never carry the Airsoft pistol with the safety in the off (Fire) position. If dropped or struck with the safety off, the Airsoft pistol may fire. Such a discharge can occur with or without the trigger being directly struck or touched. Never rest a loaded Airsoft pistol against any object (wall, tree, fence, vehicle, etc.) because there is always the possibility that the Airsoft pistol will be jarred or slide from its position and fall with sufficient force to discharge. Keep the safety in the on position (SAFE) unless actually firing.

SAFETY ON

1. Depress Takedown Lever from right side.
2. SAFETY is ON
3. Pistol will not fire



SAFETY OFF

1. Depress Takedown Lever from left side.
2. SAFETY is OFF
3. Pistol will fire





WARNING - ALTERATION



Your Airsoft pistol is a precision instrument designed to function within certain parameters. Alterations can make it unsafe. Never attempt to modify your Airsoft pistol to give it more power, velocity, or range. DO NOT remove or otherwise alter the blaze orange muzzle. It is the only visual cue that the AirSoft pistol is not a real firearm.

**DO NOT ALTER YOUR
AIRSOFT PISTOL**

DISASSEMBLY

Step 1

1. Remove Magazine
2. Rotate Takedown Lever clockwise (90 degrees) until it stops
3. Remove Slide



Step 2

1. Remove Recoil Spring and Recoil Spring Guide



Step 3

1. Remove Barrel



To assemble the pistol, reverse the disassembly steps.

MAINTENANCE

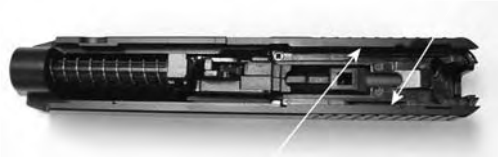
Lubrication

Apply a light film of gun oil on the frame and slide rails.



Apply a drop of oil on the Hammer and Takedown Lever.

No additional lubrication is required. Green Gas contains silicon oil and lubricates the pistol's internal components during use.



Bore

Use the supplied plastic rod to clear bore obstructions. With the slide locked to the rear, insert the rod from the muzzle end until the obstruction is removed.



AirSoft pistol field stripped

TRAJECTORY ADJUSTMENT

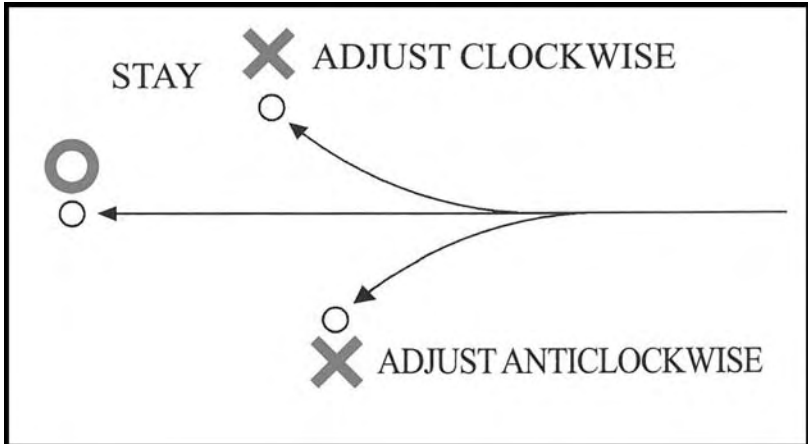
Adjust Trajectory

1. Remove Slide
2. Rotate adjustment wheel

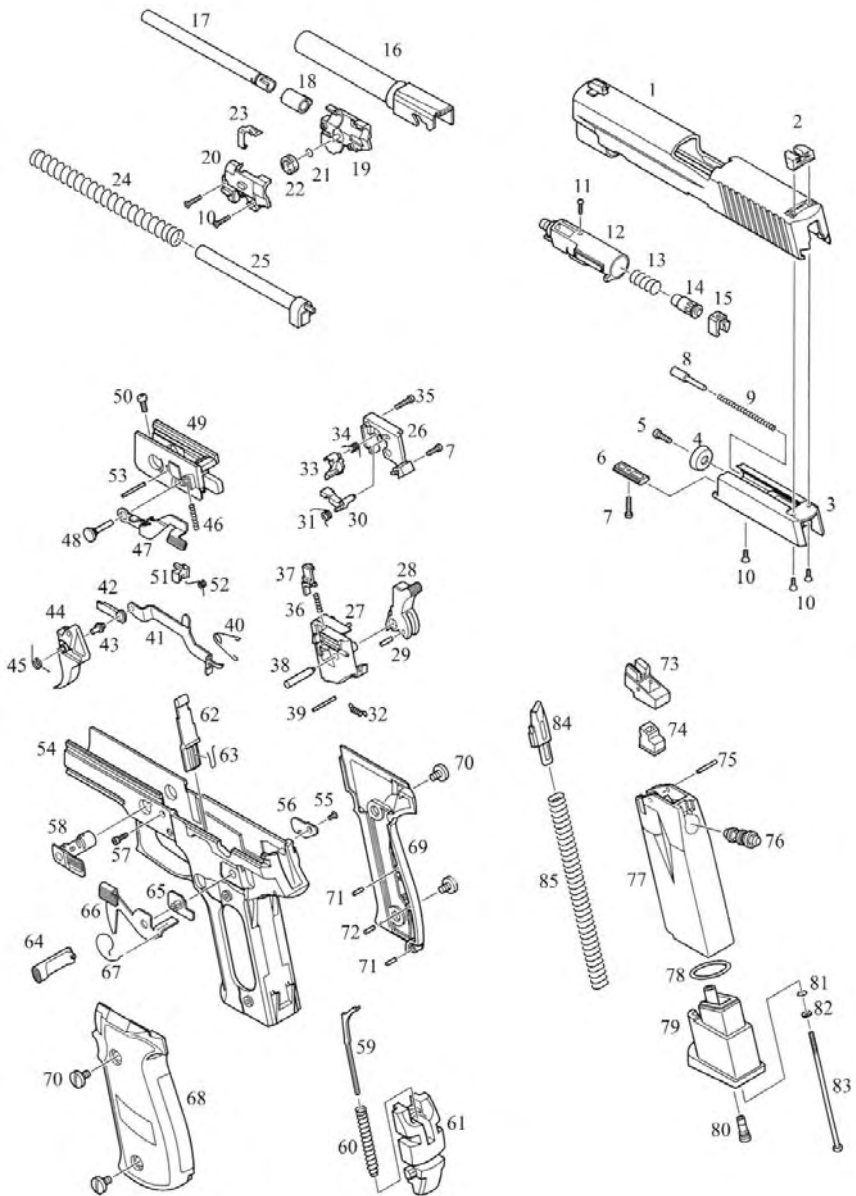


If shooting high, rotate clockwise.

If shooting low, rotate counter clockwise



Parts Diagram



Warranty Statement

Based on Magnuson-Moss Warranty Act, SIGARMS Inc. offers no express warranty on their product line. However, SIGARMS Inc. recognizes its obligations concerning service to owners of SIGARMS products. SIGARMS Inc. stands behind its products and will continue to provide service to their product line as they have over the years. SIGARMS Inc. products will be serviced for a period of one year from date of retail purchase, for defects in materials or workmanship, at no charge to the purchaser. Be sure to retain your sales slip as proof of purchase date when making a claim.

*Be aware of those around you.
If their actions are not in keeping with
safe gun handling procedures,
TELL THEM.*

IMPORTANT

**Do not discard. Keep this manual with your AirSoft pistol.
Upon change of ownership, transfer this manual
with the AirSoft pistol.**

SIGARMS®

*SIGARMS Inc.
18 Industrial Drive
Exeter, NH 03833
(603) 772-2302
www.sigarms.com*

SIGARMS® and SIG SAUER®
are registered trademarks of SIGARMS Inc.
All specifications are subject to change without notice.